

THIS DRAWING IS UNPUBLISHED.

RELEASED FOR PUBLICATION

SEP. 2005

© COPYRIGHT 2005

ALL RIGHTS RESERVED.

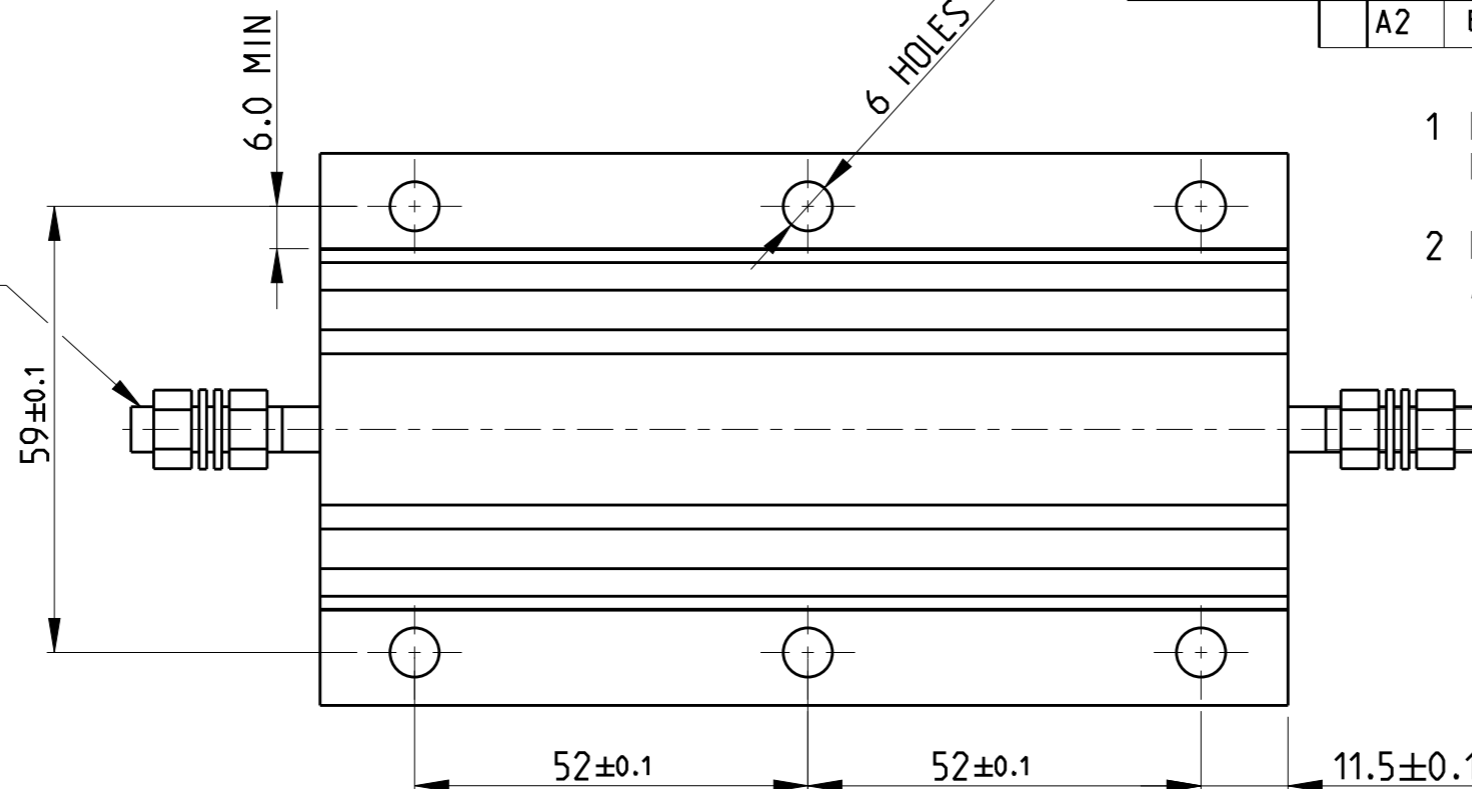
LOC	DIST
E	B

REVISIONS

P	LTR	DESCRIPTION	DATE	DWN	APVD
A2		ECR-11-020603	07AUG2012	KR	OP

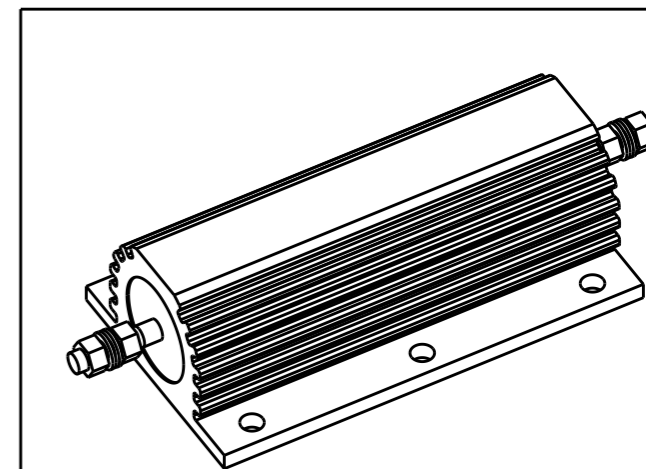
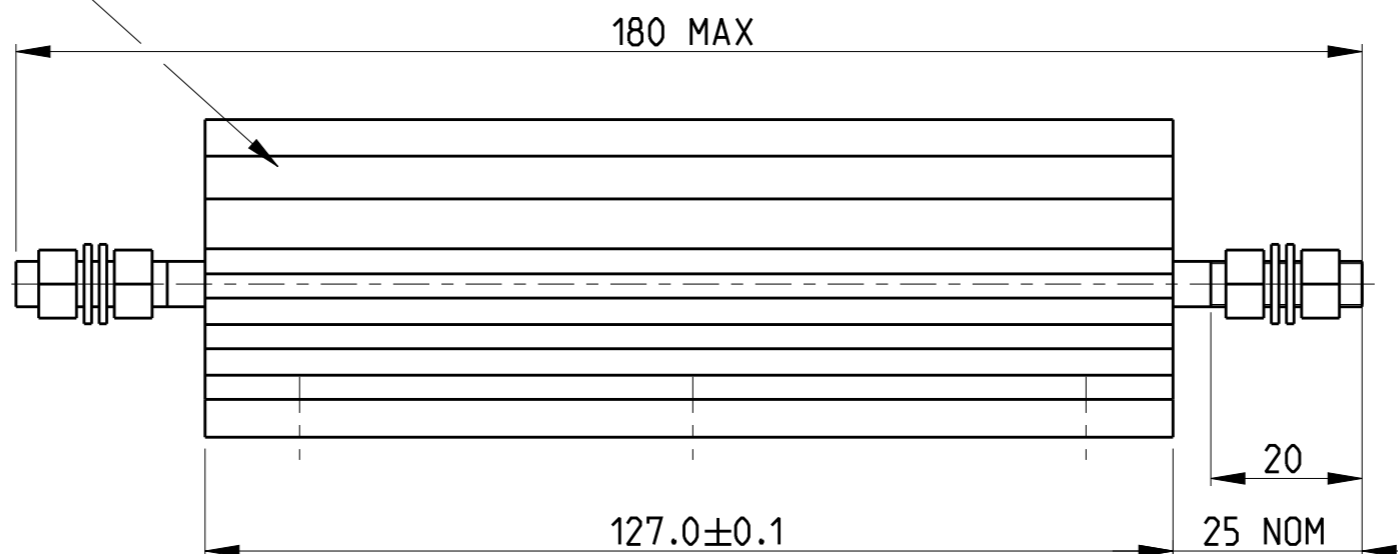
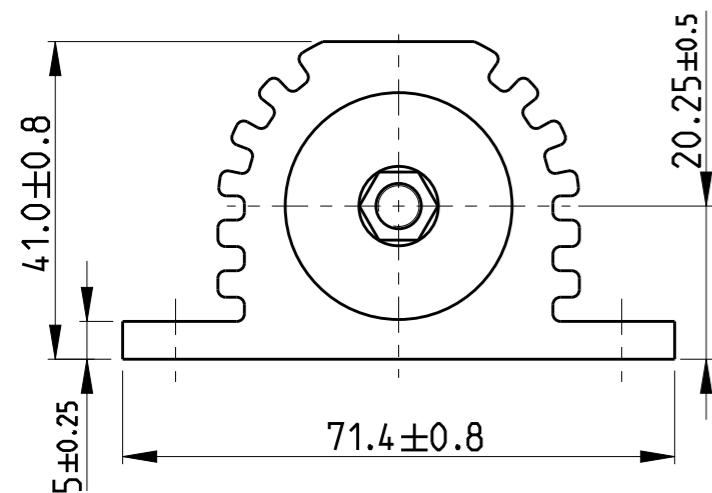
M6 ST/STEEL TERMINAL STUDS.  
EACH SUPPLIED WITH :  
2 OFF M6 ST/STEEL FULL NUTS  
2 OFF M6/STEEL PLAN WASHERS

- 1 FOR FURTHER INFORMATION SEE DATA SHEET FOR HS SERIES-ALUMINIUM HOUSED RESISTORS
- 2 FOR A SPECIFIC PN FOR A RESISTANCE VALUE AND TOLERANCE, PLEASE REFER TO DMF



GOLD ANODISED  
ALUMINIUM HOUSINGS

RoHS Compliant



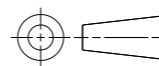
THIS DRAWING IS A CONTROLLED DOCUMENT.

DWN 28.SEP.05  
DAVE KENNEDY  
CHK 29.SEP.05  
J CATCHPOLE  
APVD 29.SEP.05  
J CATCHPOLE

**TE** TE Connectivity

DIMENSIONS:  
mm

TOLERANCES UNLESS OTHERWISE SPECIFIED:



0 PLC	±0.5
1 PLC	±0.2
2 PLC	±0.1
3 PLC	±
4 PLC	±
ANGLES	±5°

MATERIAL

FINISH

PRODUCT SPEC

APPLICATION SPEC

WEIGHT

NAME  
HSC 300

SIZE	CAGE CODE	DRAWING NO	RESTRICTED TO
------	-----------	------------	---------------

A3	00779	C-1630027	-
----	-------	-----------	---

CUSTOMER DRAWING

SCALE	SHEET	OF	REV
1:1	1	1	A2